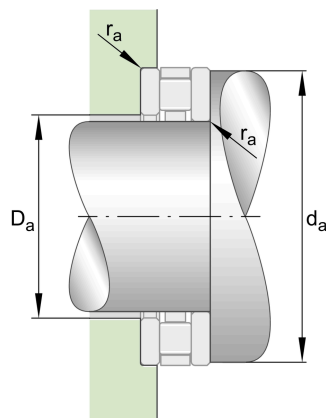
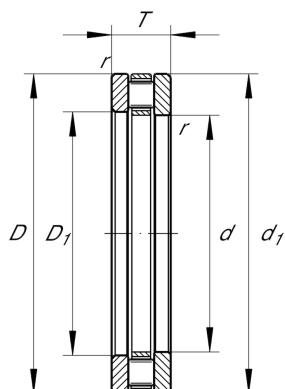
**81109-TV**

Axial cylindrical roller bearing

Schaeffler ID:  
0002403380000Axial cylindrical roller bearings 811, single  
direction, comprising K811, GS, WS

## Technical information

**Main Dimensions & Performance Data**

d	45 mm	Bore diameter
D	65 mm	Outside diameter
T	14 mm	Height
$C_a$	59,000 N	Basic dynamic load rating, axial
$C_{0a}$	163,000 N	Basic static load rating, axial
$C_{ua}$	16,300 N	Fatigue load limit, axial
$n_G$	5,200 1/min	Limiting speed
$n_{gr}$	1,970 1/min	Reference speed
	0.001 kg	Weight

**Additional information**

	K81109-TV	Axial roller and cage assembly
$D_1$	47 mm	Bore diameter housing washer
	GS81109	Housing Washer
$d_1$	65 mm	Rip diameter shaft washer
	WS81109	Shaft washer
	LS4565	Track Washer
$r_{min}$	0.6 mm	Minimum chamfer dimension

**Mounting dimensions**

$d_{a min}$	63 mm	Minimum diameter shaft shoulder
$D_{a max}$	47 mm	Maximum diameter of housing shoulder
$r_{a max}$	0.6 mm	Maximum recess radius

**Temperature range**

$T_{min}$	120 °C	Operating temperature min.
$T_{max}$	-30 °C	Operating temperature max.